

MD IV Duct sealing system

FILOform

connect ▶ seal ▶ protect ▶

MD IV-1 sealing system

For openings min. Ø 75 mm max. Ø 95 mm

Art. nr. 280301P

MD IV-3 sealing system

For openings min. Ø 95 mm max. Ø 125 mm

Art. nr. 280321P

MD IV-4 sealing system

For openings min. Ø 125 mm max. Ø 160 mm

Art. nr. 280331P



Sealing system type MD IV has been developed to create effective gas and watertight sealing of ducts in which cables or pipes have to be installed at a later date.

The sealing system Type MD IV consists of a plug-in coil shaped part with two foam-plastic flanges and an easy and safe to use twin pack containing a special expanding polyurethane filler.

This filler is poured in the coil through an opening, after which the coil needs to be positioned in the borehole (Fig. 1). The polyurethane filler will expand thus sealing the duct for water and gas effectively (Fig. 2).

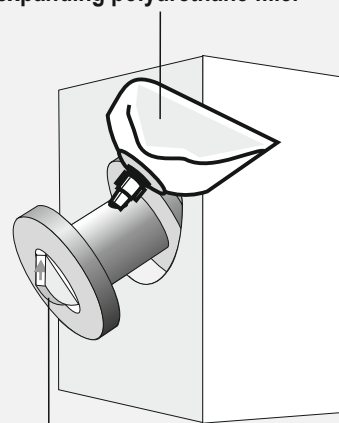
If the duct needs to be utilised at a later date for cables or pipes then the MD IV can be removed easily by using a saw blade. The duct can then be re-sealed by using our MDII system.

The sealing system MD IV can also be used for sealing of vertically positioned ducts (Fig. 3).

Kit contents sealing system type MDIV

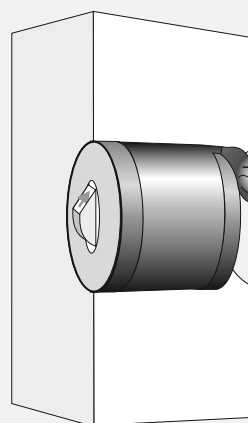
- Twin pack containing expanding polyurethane filler equipped with screw-ring
- Coil shaped unit
- Screw type nipple
- Set protective gloves
- Sandpaper
- Installation instructions

Twin pack containing expanding polyurethane filler



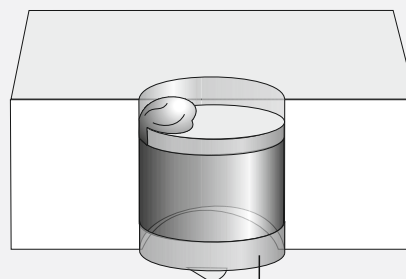
Sealing system MD IV

Fig. 1



Polyurethane filler (after expansion)

Fig. 2



Sealing system in vertical position

Fig. 3

Subject to change without notice